

HATCHCOVERS - GENERAL DESIGN CRITERIA.

- WEATHERLOAD acc. LOADLINE CONVENTION
- CONTAINERLOAD FOR STACK (in lload): -20 TON TEU
- 40 TON FEU

- TIMBERLOAD STOWAGE FACTOR:

- C-value 1.45 m³ 2.1 m high
- C-value 1.88 m³ 3.0 m high

SECTIONS ARE NUMBERED FORE TO AFT SHIP

1 Tm 10 (NO'S POSITIONED ON TOPSIDE AT SB)

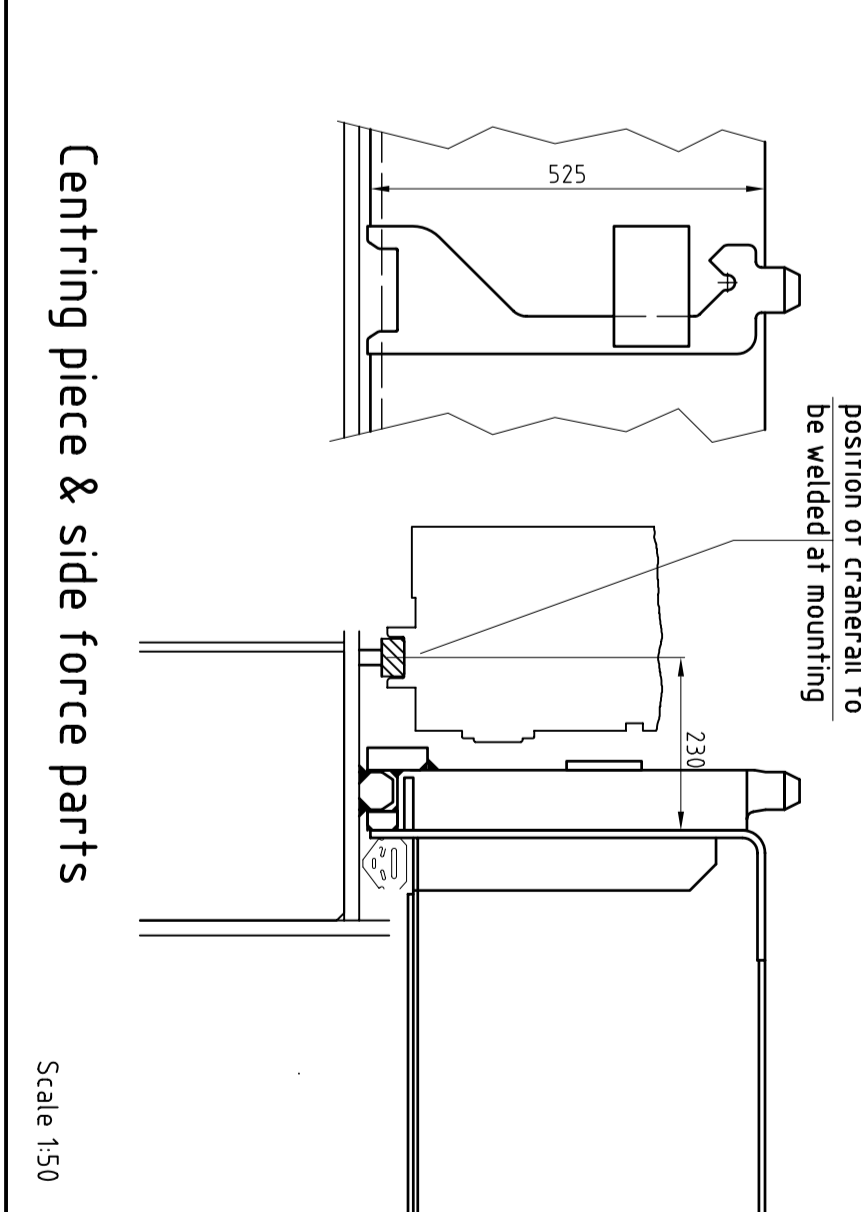
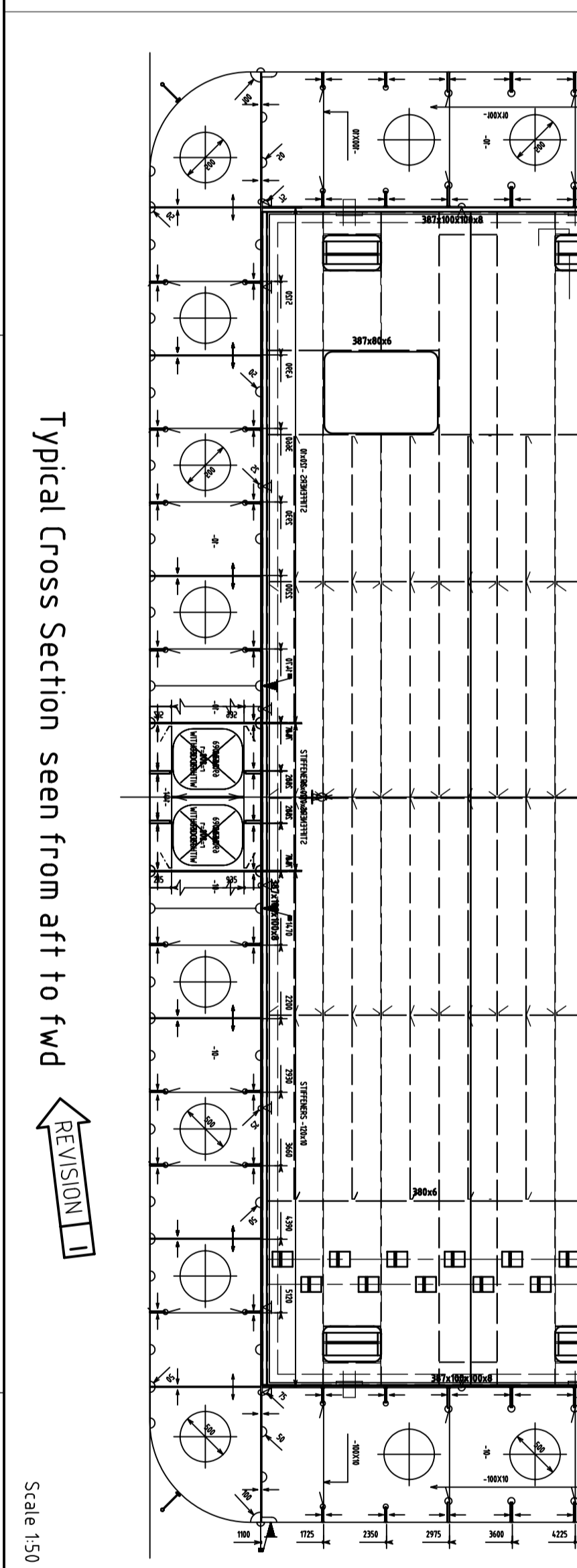
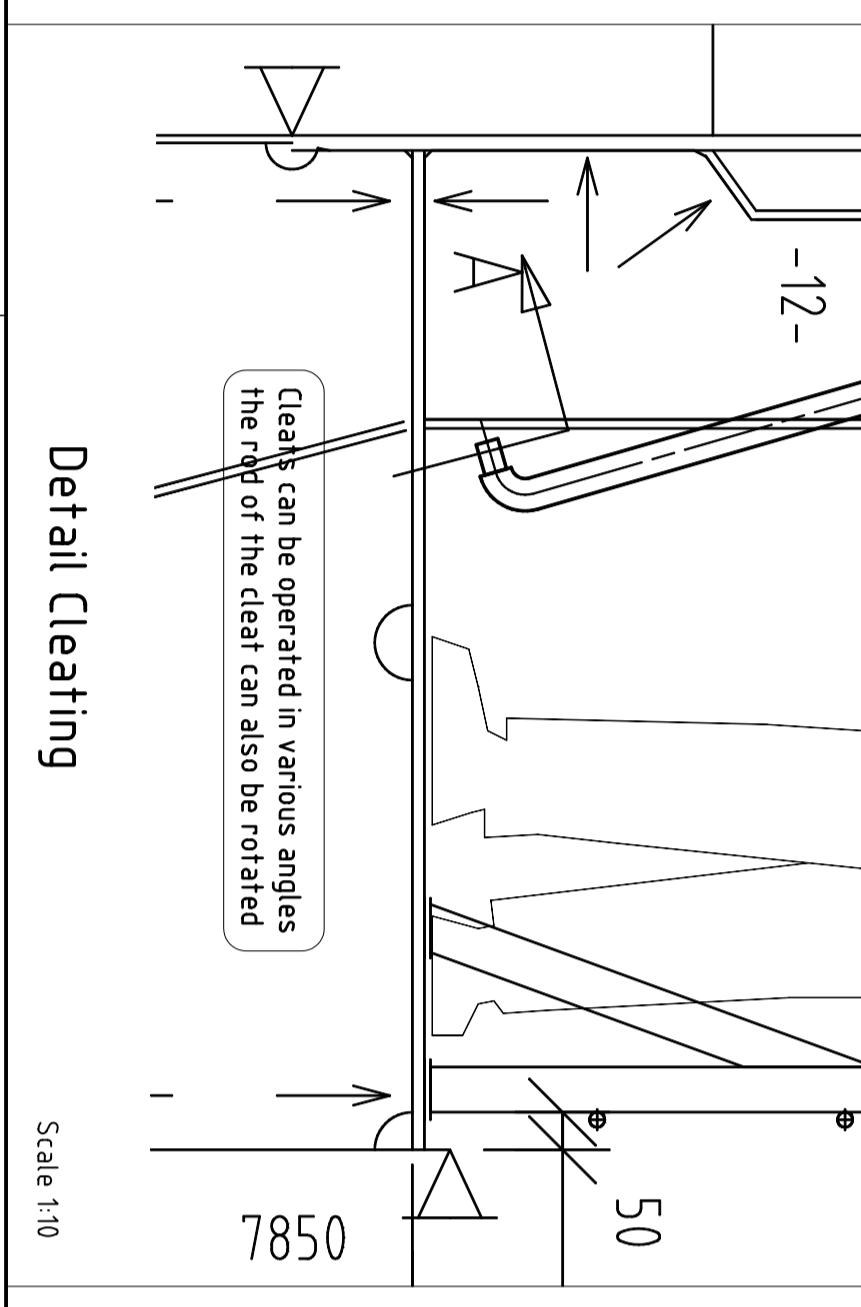
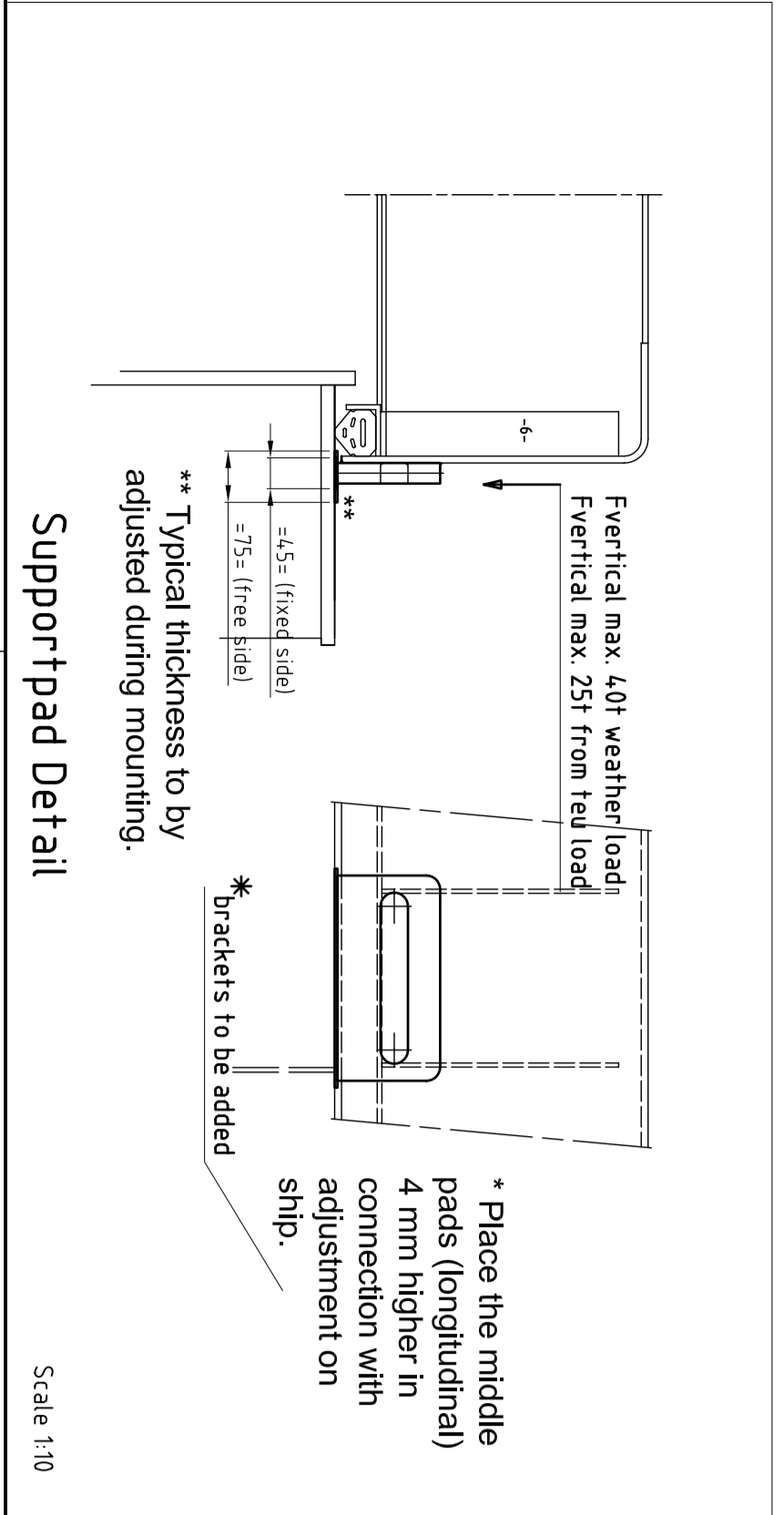
SECURING : CROSS JOINT WEDGES 12/02

: HEAVY DUTY CLEATS M24 MGN

FIXATION : 1-SIDE FIXED, PS BEING FIXED SIDE

CLASS : BUREAU VERITAS THE NETHERLANDS

*brackets to be added to be verified by yard



| | | | |
|---|-------------|-------------|---------------------|
| GENERAL REQUIREMENTS: RODEN STAL VERBODEN TOEGANG VOOR WERKERS | | | |
| REV. | DATE | BY | DESCRIPTION |
| A0 | 2015-01-20 | RD | GENERAL ARRANGEMENT |
| RODEN STAL Design hatch covers General arrangement | | | |
| CUSTOMER | PROJECT NO. | STATUS | DATE |
| Chowque and Company Limited | 194 - 195 | Final | 2015-01-20 |
| SCALE | DRAWING NO. | PROJECT NO. | REVISION NO. |
| 1:50 | 001/27920 | 194 - 195 | 001 |
| DATE | BY | DATE | BY |
| 2015-01-20 | RD | 2015-01-20 | RD |